

上海金纬化纤机械制造有限公司产品

Shanghai Jwell Chemical Fibre Machinery Co., Ltd.

- JW1260, JWA1260, JWA1380, JWA1500, JWA1680, JWA1800系列高速卷绕头
- JW系列涤纶POY、FDY化纤纺丝工程设计与整厂设备制造
- JW系列锦纶POY化纤纺丝工程设计与整厂设备制造
- 国际领先的熔纺涤纶纺丝设备

总经理电话: 13901656526 邮箱: salbb@jwell.cn

上海金纬片板膜设备制造有限公司产品

Shanghai Jwell Plate & Sheet Equipment Co., Ltd.

- PVC、PP、PE、PS、ABS、APET、PETG、PC、PMMA 单层、多层片材、板材挤出生产线
- TPO、PVC、EVA、PE防水卷材生产线及7米宽幅PE土工膜生产线

总经理电话: 13817069956 邮箱: salmaf@jwell.cn

上海金纬管道设备制造有限公司产品 (详见专门样本)

Shanghai Jwell Pipe Equipment Co., Ltd. (See Special Catalogue)

- JWSB 系列大口径 HDPE/PVC 双壁波纹管、加筋管挤出生产线
- 大口径 PE 埋地供水管、MDPE 燃气管、UPVC 管材挤出生产线

总经理电话: 13501675166 邮箱: salaa@jwell.cn

上海金纬挤出机械制造有限公司产品 (详见专门样本)

Shanghai Jwell Extrusion Machinery Co., Ltd. (See Special Catalogue)

- ABS、HIPS、PMMA 洁具板、冰箱板生产线
- PVC 窗型材、扣板、窗台板、挂墙板、波浪板等异型材生产线

总经理电话: 13916215585 邮箱: salbc@jwell.cn

上海杰伟机械制造有限公司产品 (详见专门样本)

Shanghai Jwell Machinery Co., Ltd. (See Special Catalogue)

- 各种板式、柱式换网器
- 各种多层共挤分配器、模块组合式分配器

总经理电话: 13482465160 邮箱: salkb@jwell.cn

常州金纬化工成套设备有限公司 (详见专门样本)

Changzhou Jwell Chemical Machinery Co., Ltd. (See Special Catalogue)

- 免干燥节能型PET双螺杆片材主机
- TPU双螺杆聚合反应挤出造粒生产线

总经理电话: 18851213088 邮箱: salpa@jwell.cn

常州金纬管道设备制造有限公司产品

Changzhou Jwell Pipe Equipment Co., Ltd.

- 立式和卧式HDPE/PP/PVC大口径双壁波纹管及加筋管生产线

总经理电话: 18851217288 邮箱: salcf@jwell.cn

舟山金纬螺杆制造有限公司产品 (详见专门样本)

Zhoushan Jwell Screw & Barrel Co., Ltd. (See Special Catalogue)

苏州金纬机械制造有限公司产品 (详见专门样本)

Suzhou Jwell Machinery Co., Ltd. (See special catalogue)

- PVC、PE 大口径管材生产线
- JWSB 系列大口径 HDPE/PVC 双壁波纹管、加筋管挤出生产线

总经理电话: 13732615688 邮箱: salbm@jwell.cn

苏州大云环保科技有限公司产品 (详见专门样本)

Suzhou Dyun Environmental Technology Co., Ltd. (See special catalogue)

- 各种强力破碎机, 重型破碎机, 静音破碎机, 大产量薄膜破碎机
- 大口径管材回收破碎机组, 各种单轴轻重破碎机

总经理电话: 13773006006 邮箱: salbl@jwell.cn

苏州金纬管道科技有限公司 (详见专门样本)

Suzhou Jwell Pipe Equipment Technology Co., Ltd. (See Special Catalogue)

- 立式和卧式HDPE/PP/PVC大口径双壁波纹管及加筋管生产线
- UPVC/PVC/PPR/PE-RT/PEX/PE/一出四等各种高速小口径管材生产线

总经理电话: 13962629088 邮箱: salcq@jwell.cn

苏州金纬机械制造有限公司片板膜设备分公司产品 (详见专门样本)

Suzhou Jwell Machinery Co., Ltd. Plate and Sheet Equipment Branch (See Special Catalogue)

- JWP系列PC、PS、PP、PE、PMMA单层及多层片材生产线
- JWP系列APET、PETG、CPET片材生产线

总经理电话: 13962629288 邮箱: saldi@jwell.cn

苏州金纬中空技术有限公司产品 (详见专门样本)

Suzhou Jwell Plastic Machinery Co., Ltd. (See Special Catalogue)

- 1-20L多模头双工位高效中空成型设备
- 25-1000L大中型中空成型设备

总经理电话: 13601907989 邮箱: saldf@jwell.cn

苏州杰威尔精密机械有限公司产品 (详见专门样本)

Suzhou Jwell Precision Machinery (See Special Catalogue)

- 各种塑料、化纤挤出机用单螺杆、机筒
- 各种塑料片板膜设备镜面板

总经理电话: 13732615688 邮箱: salbn@jwell.cn

金纬机械常州有限公司产品 (详见专门样本)

Changzhou Jwell Machinery Co., Ltd. (See Special Catalogue)

- 立式和卧式HDPE/PP/PVC大口径双壁波纹管及加筋管生产线
- PVC窗型材、扣板、窗台板、挂墙板等异型材生产线

总经理电话: 13773008080 邮箱: inllhm@jwell.cn

常州金纬挤出机械制造有限公司产品 (详见专门样本)

Changzhou Jwell Extrusion Machinery Co., Ltd. (See special catalogue)

- PVC/PP/PE木塑型材生产线
- PVC/PP/PE/PET各种造粒线

总经理电话: 13818017704 邮箱: infs@jwell.cn



地址: 上海市嘉定区黄渡工业区春意路111号 (G15国家高速曹安公路出口)
 电话: 021-69590455 69591092 69593535 13817553742 13901656526
 Add: No.111 Chun Yi Road, Huang Du Industrial Zone, Jia Ding District., Shanghai
 Tel:+86 21 69590455 69593535 69591092 13501675166
 www.jwell.net www.jwell.cn

邮编: 201804
 传真: 021-69591090
 Fax: +86 21 69591090
 E-mail:salbb@jwell.cn
 salaa@jwell.cn



版本号/Edition No.: 2017.10

FIBER SPINNING MACHINERY

FIBER SPINNING MACHINERY

上海金纬化纤机械制造有限公司

上海金纬化纤机械制造有限公司是中国最大的化纤成套设备制造厂家之一，位于上海市嘉定区黄渡工业园。公司引进世界先进水平的各类加工中心、数控车床等制造加工设备，及各类先进检测设备。建立了国内一流的现代化化纤成套设备生产线和组装线。同时，公司还拥有一大批极具创新能力的化纤工程、工艺和机械专业的优秀人才。公司凭着在化纤行业多年的丰富经验，专业承接化纤工程的设计及设备制造。现已成为实力雄厚，装备精良，工程承包水平领先的国际化纤机械工程公司。

主要产品有：
涤纶POY、FDY、TCS及氨纶化纤纺丝工程设计与制造；
JW系列涤纶、丙纶、锦纶POY、FDY化纤纺丝机；
涤锦复合纺丝机；
卷绕设备和成套设备：
JW1260、JWA1260、JWA1380、JWA1500、
JWA1680、JWA1800系列兔子头式高速卷绕头和JWAR1500、JWAR1680、JWAR1800拨叉卷绕头；
国产熔体直纺工程总体设计及设备总包；
JWM20-200系列化纤螺杆挤出机。



是中国化纤机械行业的著名品牌。
公司产品已经遍布全国各地，并出口到印度、朝鲜、泰国、韩国、印尼、伊朗、土耳其、埃及、叙利亚、阿根廷和意大利等国家和地区，深受客户好评。

“品质卓越 完美如一”

是金纬公司的质量方针，是全体员工努力的方向。

“诚实待人”

是我们铸就“百年金纬”的核心理念。

董事长：何海潮

电话：+86-21-69596060

Shanghai Jwell Chemical Fiber Machinery Co., Ltd. is one of the leading chemical fiber machinery manufacturers in China. which is located in Huang Du Industrial Zone, Jia Ding District., Shanghai. JWELL has already grown into one of the leading international chemical fiber engineering companies, which is well capable of design, manufacturing of chemical fiber equipment and turn-key project contracting. JWELL, staffed by a large group of original, creative engineers of chemical fiber engineering, chemical fiber process and manufacturing, equipped with advanced machining centers, CNC lathes, etc. has established the first modern production and assembly line of complete chemical fiber equipment in China. With years of rich experience in chemical fiber industry, Shanghai Jwell dedicates to the design of chemical fiber project and equipment manufacture.

Our main products include:
Engineering and manufacturing of Polyester POY, FDY, TCS and Spandex chemical fiber spinning machinery;
JW series: Polyester, polypropylene and polyamide POY, FDY and industrial yarn chemical fiber Spinning machine, PA6, PET composite spinning machine;
JW1260, JWA1260, JWA1380, JWA1500, JWA1680, JWA1800 series traverse cam type Automatic winders and JWAR1500, JWAR1680, JWAR1800 series birotor type Automatic winders;
JWM20-200 Series Chemical Fiber Screw-Extruder.

The machine have been sold over many countries, such as India, Korea, Thailand, Indonesia, Iran, Turkey, Egypt, Syria, Argentina and Italy and etc.

"Excellent Quality, Perfect All" is Jwell's quality policy, and all staff's working direction.

"be honest" is the core idea for us to contribute "Century JWELL"

President: He Haichao

Email: he@jwell.cn



我们用心追求完美的品质 In Pursuit of Perfect Quality



化纤直纺工程项目总承包

Turnkey Project for Direct Spinning Machines



涤纶POY系列高速纺丝机

PET-POY High Speed Spinning Machines Series

产品用途:

本机主要是用于纺制30-330dtex涤纶POY长丝。

主要特点:

- 采用了LTM型销钉螺杆，国产连续熔体过滤器，延长了组件使用周期。
- 有上装式和下装式的高压自封式矩形、杯型组件可供选择。
- 独特的行星式纺丝泵、单独传动的油剂泵。
- 风速均匀稳定的环吹风、侧吹风系列冷却系统。
- 独立控制,进口变频器及进口元器件。
- 可升降导盘，升头操作方便。

Application:

This machine is mainly used for spinning 30-330dtex polyester POY.

- Adopts LTM type pin screw, domestic-made continuous melt CPF, thus extend the service life of spin packs.
- Both top-mounted and bottom-mounted high-pressure rectangular and cup-shaped spin packs are available.
- Unique planetary spinning pump and separately driving finish oil pump.
- Evo and cross quench system with equably and stable flowing speed.
- Individually controlled, imported inverter and components.
- New adjustment GR, imported inverter and components.



锦纶POY/FDY系列高速纺丝机

PA6-POY /FDY High Speed Spinning Machines Series

产品用途:

本机主要是用于PA6及PA66切片纺制。

主要特点:

- 采用了新型双金属螺杆、机筒、特殊的管路设计。
- 采用节能型箱体,配有下装式的高压自封式杯型组件。
- 独特的行星式纺丝泵、单独传动的油剂泵, 配备精心设计的单体抽吸装置。
- 均匀可前面拆卸的侧吹风、独特喷嘴式上油装置。
- 带有精密卷绕的高速全自动切换卷绕头, 切换成功率高, 丝饼成型优良, 退绕性能好。

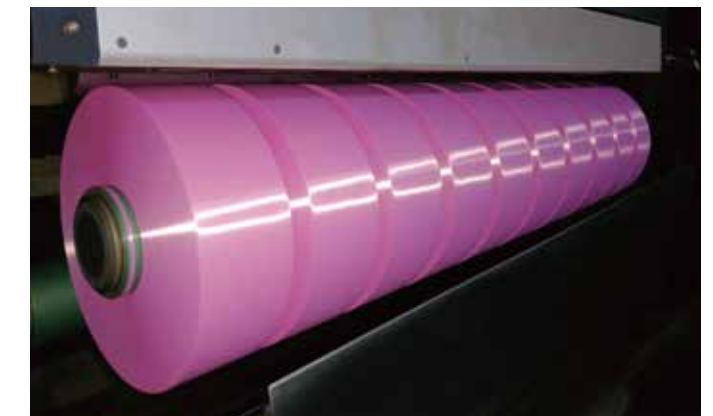


Application:

This machine is mainly used for chips spinning of PA6 and PA66.

Main features:

- Adopt new type of bimetal, barrel and special manifold design.
- Energy saving spin beam, equipped with bottom mounted, high pressure cylinder spin pack.
- Unique planetary spinning pump and separately driving finish oil pump. With well designed air suction for monomer.
- Uniform front dismountable quenching chamber and unique nozzle type oil adding device.
- Equipped with precision winding and high speed automatic winders, high success of doffing, fineless of yarn shape, and good function of unwinding.



涤纶瓶片POY纺丝成套设备

PET-POY Bottle Flakes Spinning Equipment

设备介绍:

本纺丝方案适用于反应釜工程或熔融瓶片纺丝方法生产涤纶POY产品。

技术特点:

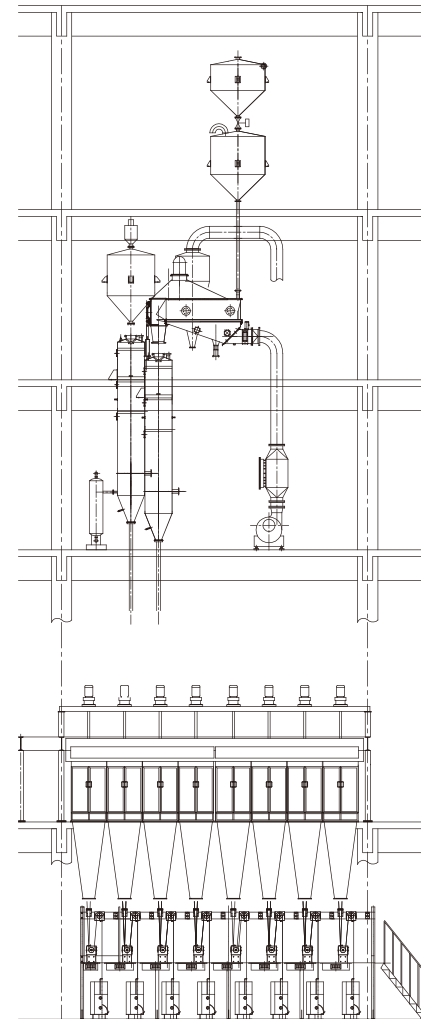
- 特殊螺杆机筒设计，适纺回收料。
- 双级过滤器配置增压泵，保证熔体压力均匀输送和过滤效果。
- 采用最新型回料专用纺丝箱，高效节能环保。
- 采用下装杯形组件，提高熔体流动的均匀性。
- 专用的回料侧吹风系统，蜂窝结构，风速均匀稳定，条干好。

Introduction:

Suitable for reaction kettle and melt-bottle flakes spinning for Recycle PET POY.

Technical feature:

- Special designed screw & barrel for Recycle bottle PET (flakes).
- Double stage CPF with boost pump, to keep melt pressure stable and good performance.
- Designed spinning beam for Recycle bottle PET, saving energy and high quality.
- New designed spin pack for Recycle bottle PET.
- Special for quenching system for Recycle bottle PET, to keep air blowing better, and for the better yarn evenness.



涤纶FDY系列高速纺丝机

PET-FDY High Speed Spinning Machine

产品用途:

本系列机适用于采用熔体直纺或切片（瓶片）纺丝方法生产涤纶全牵伸丝（FDY）。

主要特点:

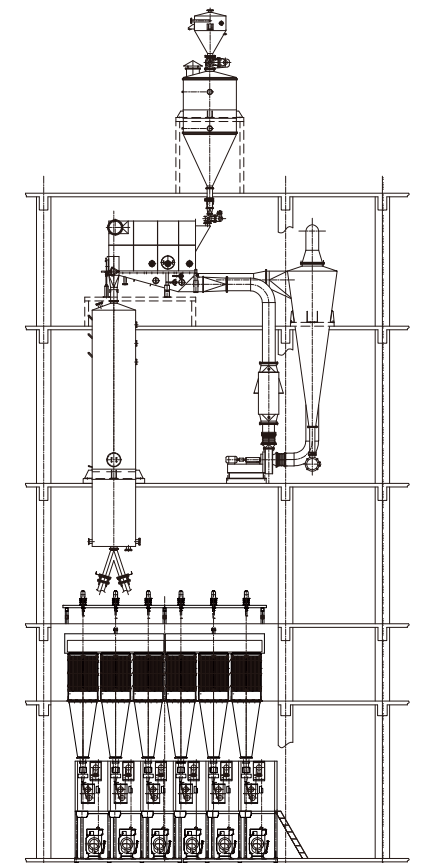
- 均匀稳定的侧吹风系统，纤维条干好。
- 适纺细旦丝的油剂喷淋系统和通用的油轮上油系统。
- 高精度进口变频器，配进口高精度温控表。具有设定、控温、监视功能。
- 配金纬化纤机械公司制造的JW系列，带有精密卷绕的高速自动切换卷绕头。自动切换成功率高，丝饼成型优良，退绕性能好。

Application:

Suitable for Direct-melt spinning or Virgin Chips or bottle chips spinning to produce PET-FDY yarn.

Main features:

- Uniform and stable quenching chamber system, for the better yarn evenness.
- Finishing spray system for super microfilament and universal oil wheel feeding system.
- Imported high precision inverter equipped with high precision RKC with setting, temperature controlling, monitoring and recording functions.
- Equipped with JW series precision winding and automatic winder produced by Shanghai Jwell Chemical Fiber Machinery Co.,Ltd, high successfully of doffing, fineness of yarn shape, and good function of unwinding.



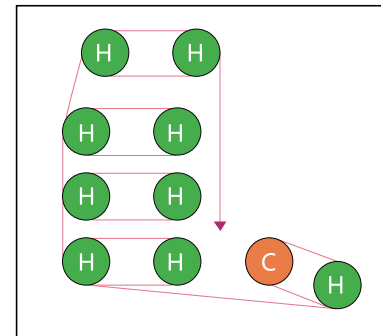
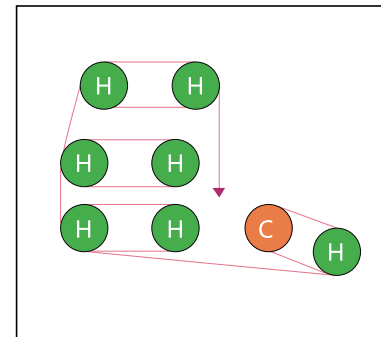
工业丝技术及纺丝成套设备

Industrial Yarn Technology and Spinning Complete Equipment

涤纶/锦纶分纤母丝高速纺丝机

PET/PA6 mother /Mono yarn spinning machine

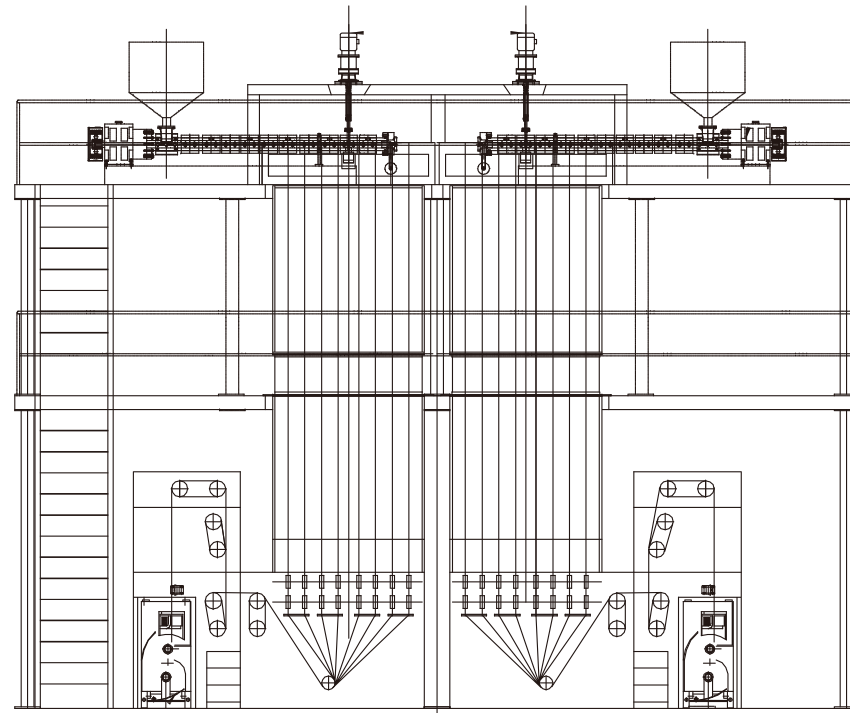
- 本设备采用纺丝牵伸卷绕一步法生产工艺技术，单丝纤度在20-40D之间。
- 工艺可根据客户要求有多重选择，由母丝分纤为单丝也可以直接纺单丝。
- 可采用高精度全自动卷绕头，同一台卷绕头上可纺4头、6头和8头。
- Widely used in high intensity civil yarn field, filament number between 20 to 40 d.
- Process can be chosen by customer, From Mother yarn split to Mono yarn or produce the mono yarn directly.
- The same winder can be produce 4ends ,6 ends and 8 ends.



丙纶FDY高速纺丝一体机

PP-FDY/POY spinning machine

- 根据客户的需求可以定制一体机，纤度可以从200D-3000D。
- 该设备适用回料的生产，经济环保，节能高效。
- 电气控制智能化，可实现整套设备集成控制、一键升降速。
- We can supply the compact machine, the filament number from 200D-3000D.
- This kind Machine can use the recycling material, Economic and environmental protection, energy saving and high efficiency.
- The control design in one touch screen, and one button for easy-controlling.



熔纺氨纶纺丝成套设备

Melt Spandex (TPU) Spinning Machines

本机全部采用金纬自制的设备，采用当今国内外最先进的技术，用熔融法生产氨纶丝具有如下特点：

- 采用专用氨纶螺杆挤出机，交流变频拖动装置；
- 采用独特的交联剂添加装置已申请国家专利；
- 采用新型的纺丝箱、平行侧吹及计量精确的行星泵；
- 适合纺氨纶丝的油剂喷淋系统及传动装置；
- 高精度进口变频器，并配进口高精度温控表等；
- 专用手动或全自动切换氨纶卷绕头。

Brief introduction

This machine adopts the equipment manufactured by Jweil itself and the most advanced technology.

- Adopting specialized spandex screw extruder and A.C inverter drive system;
- Unique crossing additive adding system with the patent in China;
- New type spin beam, parallel queching system and high precision planetary pumps;
- Finish oil spraying and driving system which are suitable for spandex yarn;
- Imported high precision inverter with imported high precision temperature controlling meter;
- Specialized manual or fully automatic spandex winder.

主要技术参数

Main technical data:

适纺范围: 15D 20D 30D 40D	Range: 15D 20D 30D 40D
机械速度: 1000m/min	Mechanical speed: 1000m/min
纺丝位距: 8位	Pitch: 8 pos.
部位位距: 600、700、800mm	Gauge: 600, 700, 800mm
箱体形式: 独立、平行纺丝及卷绕	Type of spinning beam: individual, parallel spinning and winding
组件形式: 下装式	Type of spin pack: bottom mounted
部位筒子数: 8头、12头	No. of ends: 8, 12 ends



特种纤维及复合新材料纺丝成套设备（试验机）

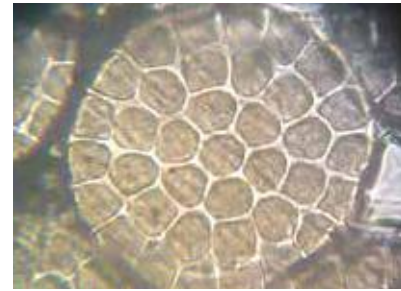
Special Fiber & New Material Spinning Machine

双组份复合纤维纺丝机

Multi-composite spinning machine

主要适用于PET、PA6或各种改型聚合物的双组份纺丝，有共纺型、桔瓣型、裂片型、皮芯型、海岛型等POY/FDY复合长丝，有圆形或异形喷丝板可选。广泛应用于生产酒店家居清洁用品、浴室保洁用品、汽车内饰（坐垫脚垫等）、毛毯地毯、甲壳素海洋化妆品面膜等各种产品。

This machine is suitable for the production of polyester and polyamide and polypropylene and their modified polymer type; co-spinning, center and split thin type; POY/FDY composite long filament of orange petal type or specialized yarn type etc. Used widely for hotel cleanser, bathroom cleanser, car inner decoration, carpet, blanket and so on.



碳纤维纺丝机

Carbon fiber spinning machine

主要适用于碳纤维的纺丝。碳纤维是一种含碳量在95%以上的高强度、高模量纤维的新型纤维材料，碳纤维“外柔内刚”，质量比金属铝轻，但强度却高于钢铁，并且具有耐腐蚀、高模量的特性，广泛应用于国防、航空航天、新型轻量化汽车领域及高性能民用领域。



T400复合纺设备

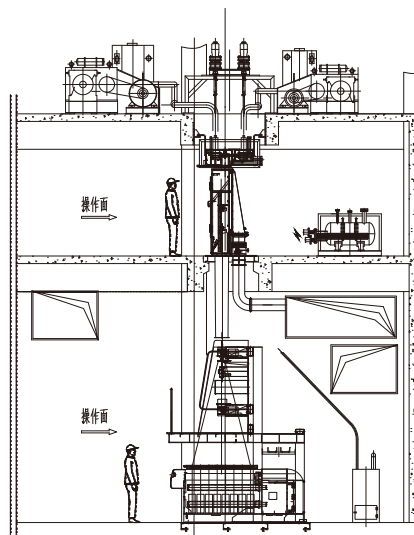
T400 Bi-Component spinning equipment

这类纤维是由PET和PTT二种完全不同的原料，配置二套螺杆、熔体管路、双组份复合箱体、单独的热媒系统等，采用特殊工艺纺制而成。设备通过适当改造，也可以纺制涤锦复合丝、海岛丝等复合纤维。

T400复合纤维是一种新型弹力复合纤维，不含氨纶而具有良好的弹性，其解决了氨纶的不易染色、弹力过剩、织造复杂、面料尺寸不稳定，及在使用过程中的氨纶老化等诸多问题。广泛应用于裤料、牛仔、运动服，高档女装等领域。

T400 made from PET and PTT two completely different raw materials, the configuration of two sets of extruder, melt polymer pipeline, Bi-component spinning beam, Individual heating system, with a special process in spinning the equipment can be produce PET-PA6 Bi-Component yarn or Island component yarn.

T400 Bi-Component filaments belong to a new type of elastic composite fiber, without spandex but it has a better flexibility which also solved the spandex not easy in dyeing, excessive in elasticity, complex in weaving, in-stable in fabric size, and in the spandex aging or many other issues. T400 in widely used in pants, denim, sportswear, fashion women clothing and other fields.



JWC系列熔体立式过滤器

JWC Series Vertical Polymer Filter

本实用新型的产品克服了现有技术存在的缺陷，切换平稳，操作轻便，性能可靠，制造容易，维修方便以及对工作环境无特殊要求，可用于各种合成纤维的生产。这种套缸双筒切换过滤器采用熔体下进上出，外进内出排气工艺，内部通道简洁流畅，决无死角，确保连续切换，不飘丝，不断丝。立式套缸的能耗比卧式要降低30%左右，节能效果明显。

The new style production overcome the present limitation of technology, which is exchanging placidly, operation portability capacity reliable, manufacturing, and it is no special requirement for working condition. It can be used for producing varieties of fibers. The Jacket Vat with dual-drum exchanging adopt the processing of melt enter below and exit upper while enter outside and exit inside. The inside passage compact and fluency, never be a dead angle, which guarantee the consecutive exchange, and no flying yarn and cutting yarn. The energy expenditure of vertical jacket vat is 30% lower than the horizontal one, and the effect of energy saving is obvious.



产品型号	滤室内径	壁厚	熔体许用压力	许用压差	热媒许用压力	许用温度	过滤面积	滤芯规格及数量	额定流量	适用螺杆直径
model	inner dia of filter room	wall thickness	melt allowable pressure	allowable pressure tolerance	hot medium allowable pressure	allowable temperature	filtration area	spec & No of candle	rated flur	appropriate dia of screw
	mm	mm	Mpa	Mpa	Mpa	°C	m ²		Kg/h	mm
JWC PF2T-0.5B	115	23.5	25	6	0.25	315	2*0.5	Ø35*215/7	50-100	65
JWC PF2T-1.05B	115	23.5	25	6	0.25	315	2*1.05	Ø35*425/7	100-200	90
JWC PF2T-1.26B	115	23.5	25	6	0.25	315	2*1.26	Ø35*485/7	150-220	105
JWC PF2T-1.8B	160	30	25	6	0.25	315	2*1.8	Ø35*425/12	220-320	120
JWC PF2T-1.95B	160	30	25	6	0.25	315	2*1.95	Ø35*425/13	250-350	120
JWC PF2T-2.34B	160	30	25	6	0.25	315	2*2.34	Ø35*485/13	330-420	135
JWC PF2T-2.7B	180	30	25	6	0.25	315	2*2.7	Ø35*485/15	400-500	150
JWC PF2T-3.5B	192	30	25	6	0.25	315	2*3.5	Ø35*485/19	500-650	160
JWC PF2T-4.0B	192	30	25	6	0.25	315	2*4.0	Ø60*580/7	600-750	170
JWC PF4T-9.5/5.5	295/250	30	25	6	0.25	315	2*9.5 2*5.5	Ø58*650/15 Ø50*600/13	600-700 瓶片	135/150
JWC PF4T-15/9.5	325/295	30	25	6	0.25	315	2*15 2*9.5	Ø55*750/19 Ø58*650/15	800-1000 瓶片	185/190

以上规格参数如有变更，恕不另行通知。

兔子头式全自动切换卷绕头——主要规格

Series of Traverse Cam Type Automatic Winders—main Specifications

型号 Model	JWA1260	JWA1380	JWA1500	JWA1680	JWA1800
机械速度 Mechanical speed	2500-5000m/min	2500-5000m/min	2500-5000m/min	2500-5000m/min	2500-3500m/min
锭轴长 Length of chuck	1260mm	1380mm	1500mm	1680mm	1800mm
纸管尺寸 (内径/外径) Tube dimension	∅112/∅126	∅112/∅126 ∅120/∅134	∅112/∅126 ∅120/∅134	∅120/∅134	∅120/∅134
卷装外径 Dia of yarn package	∅420	∅420	∅430	∅430	∅430
卷装体积/横动宽度 Package volume/astroke	8头 ends 16.3dm ³ /130	17.6dm ³ /142	20.3dm ³ /155	—	—
	10头 ends 12.6dm ³ /100	13.7dm ³ /110	16.1dm ³ /123	—	—
	12头 ends 10.3dm ³ /82	11.2dm ³ /90	13.1dm ³ /100	14.68dm ³ /112	16.1dm ³ /123
	16头 ends 7.0dm ³ /56	7.5dm ³ /60	9.5dm ³ /73	10.8dm ³ /82	11.3dm ³ /86

备注：参考比重：涤纶比重=0.95，锦纶比重=0.75，丙纶比重=0.71



型号Model	JWA1260	JWA1380	JWA1500	JWA1680	JWA1800
W	748	748	790	790	790
H	1380	1380	1330	1330	1330
L	2340	2520	2690	2889	3069

旋转拨叉式全自动切换卷绕头——主要规格

Series of Birotor Type Automatic Winders—main Specifications

型号 Model	JWAR1500	JWAR1680	JWAR1800
机械速度 Mechanical speed	2500-5000m/min	2500-3500m/min	2500-3500m/min
锭轴长 Length of chuck	1500mm	1680mm	1800mm
纸管尺寸 (内径/外径) Tube dimension	∅112/∅126 ∅120/∅134	∅120/∅134	∅120/∅134
卷装外径 Dia of yarn package	∅430	∅430	∅430
卷装体积/横动宽度 Package volume/astroke	8头 ends —	—	—
	10头 ends 15.7dm ³ /120	—	—
	12头 ends 13.1dm ³ /100	14.68dm ³ /112	15.7dm ³ /120
	16头 ends —	10.8dm ³ /82	—

备注：参考比重：涤纶比重=0.95，锦纶比重=0.75，丙纶比重=0.71



型号Model	JWAR1500	JWAR1680	JWAR1800
W	725	725	725
H	1228	1228	1228
L	2768	2948	3068

民用丝热辊,分丝辊

Godet Roller and Separate Roller for Civil Yarn

主要特点: 民用丝热辊是利用电感应加热,工频或高频热管均温技术,使热辊工作区表面温度均匀。特殊的轴承结构设计,使热辊在高速高温的工况下运转平稳可靠,能满足各种FDY民用丝纺丝工艺的要求,纺丝纤度范围40-300dtex。

FEATURES: Steam heating with power frequency or high frequency and thermal pipe temperature uniformization or individual section temperature controlling; Easy structure and reliable, smooth running under high temperature and high drawing force. Can be suitable for solutions of various textile FDY spinning process, spinning range 40-300dtex.



主要技术参数 (Specification) :

热辊,分丝辊型号 GR & SR Model	JRGD/220/4000热辊 JRGD/220/4000GR	JFSG/110/4000分丝辊 JFSG/110/4000SR	JRGD/220/5500热辊 JRGD/220/5500GR	JFSG/110/5500分丝辊 JFSG/110/5500SR
电机功率 Motor power	2.8/4.2KW	1.5KW	4.8/5.3KW	1.65KW
电机类型 Motor Type	4极永磁同步电机 4-pole Permanent Magnetic Synchronous Motor	2极永磁同步电机 2-pole Permanent Magnetic Synchronous Motor	4极永磁同步电机 4-pole Permanent Magnetic Synchronous Motor	2极永磁同步电机 2-pole Permanent Magnetic Synchronous Motor
速度范围 Speed Range	1000-4000m/min	1000-4000m/min	1000-5500m/min	1000-5500m/min
工作温度范围 Temperature Range	60-180°C	----	60-200°C	----
均温方式 Uniform Heating Manner	热管均热 Heating Pipe	----	热管均热 Heating Pipe	----
工作区温差 Temperature difference in working area	±1°C	----	±1°C	----
测温方式 Sensor Type	PT100 旋转测温 Rotating	----	PT100 旋转测温 Rotating	----
加热功率 Heating Power	9/10/12KW	----	12KW	----
轴承润滑方式 Bearing Lubrication Manner	油雾润滑 By Oil Mist	油雾润滑 By Oil Mist	油雾润滑 By Oil Mist	油雾润滑 By Oil Mist
冷却方式 Cooling	油冷 By Oil	油冷 By Oil	油冷 By Oil	油冷 By Oil
外型尺寸 Dimension	Φ220×450mm Φ220×425mm	Φ110×475mm Φ110×475mm	Φ220×400mm Φ220×375mm	Φ110×400mm Φ110×375mm
热辊表面状态 Surface Treatment State	镜面铬/毛面铬/陶瓷 Mirror Chromium/Rough Chromium/Ceramic			

以上规格参数如有变更,恕不另行通知。

工业丝热辊

Godet Roller for Industrial Yarn

主要特点: 工业丝热辊是利用电感应加热,工频或高频热管均温或分段控温技术,使热辊工作区表面温度均匀。特殊的轴承结构设计,使热辊在高速高温的工况下运转平稳可靠,能满足不同的工业丝纺丝工艺的要求,纺丝纤度范围300-1500dtex。

FEATURES: Steam heating with power frequency or high frequency and thermal pipe temperature uniformization or individual section temperature controlling; Easy structure and reliable, smooth running under high temperature and high drawing force. Can be suitable for solutions of various industrial Yarn spinning process, spinning range 300-1500dtex.



主要技术参数 (Specification) :

热辊型号 Heated godet Type	JRGD/160		JRGD/190		JRGD/190		JRGD/220	
同步电机类型 PermanentMagnetic Synchronous Motor Type	6极永磁 6-pole	4极永磁 4-pole	6极永磁 6-pole	4极永 4-pole	6极永磁 6-pole	4极永磁 4-pole	6极永磁 6-pole	4极永磁 4-pole
扭矩 Torque (N.m)	± 5 N.m		± 5 N.m		± 7-9 N.m		± 9 N.m	± 14 N.m
速度范围(m/min) Speed Range	300-1000	600-2500	300-1200	600-3500	300-1200	600-3500	300-1200	600-4000
工作温度范围 Temperature Range	60-120°C	60-160°C	60-150°C	60-230°C	60-150°C	60-250°C	60-150°C	60-250°C
均温方式 Temp.Uniformzing Manner	单段控温 Single Zone		3段控温 Multi Zone		热管均热 Heating Pipe		4段控温或热管均热 Multi Zone or Heating Pipe	
工作区温差(°C) Temperature differen in working area	± 7°C		± 3°C		± 1°C		± 1.5°C	
测温方式 Sensor Type	PT100×1 固定测温 Not Rotating		PT100×4 旋转测温 Rotating		PT100×1 旋转测温 Rotating		PT100×1 or PT100×4 旋转测温 Rotating	
加热功率 Heating Power	3KW	5KW	4KW	6KW	3-4KW	8-10KW	5KW	12KW
轴承润滑方式 Bearing Lubrication Manner	油脂润滑 By Grease		油脂润滑 By Grease		油脂润滑 By Grease		油脂润滑 By Grease	
冷却方式 Cooling	油冷 By Oil		油冷 By Oil		油冷 By Oil		油冷 By Oil	
热辊外型尺寸 Dimension	Φ160×240mm		Φ190×320mm		Φ190×320mm		Φ220×400mm	
热辊表面状态 Surface Treatment State	镜面铬/毛面铬/陶瓷 Mirror Chromium/Rough Chromium/Ceramic							

以上规格参数如有变更,恕不另行通知。

JWM螺杆挤出机系列

JWM Series Spinning Extruders

JWM系列螺杆挤出机主要用于PET、PA6、PA66、PP等切片或瓶片的熔融纺丝。本产品集十几年的经验与技术，在行业中每年销量巨大，目前已有数千台挤出机在700多家化纤工厂及无纺布工厂正常运行。

挤出机的螺杆设计采用LTM低温混合元件，塑化性能好。由于采用了专业加工技术，使得螺杆、料筒的制造精度较高，直线性较好。并选用高精度斜齿减速箱，齿轮为硬齿面磨齿齿轮。工作平稳，噪声极小。配用超强的推力轴承，保证能承受巨大的轴向力。并可根据用户需要，选用进口轴承及密封件，耐用性好，维护简便。

JWM series extruders are used for melt spinning of PET, PA6, PA66, PP chips. We have huge turnover every year because of dozen years of experience and advanced technology, and there are thousands of extruders running well in more than 700 spinning and non-woven plants.

The LTM designed in screw, and the melt quality is better. The precision of screw and barrel is higher after professional processing. And equipped high precision bevel-teeth gear box, operating stability, lowest noise. assemble strong push bearing. in order to guarantee bearing huge axle power. and be able to select to equip imported high speed bearing and seal parts.



JWM螺杆挤出机参数表

JWM Extruder Datasheet

JWM 挤出机规格 Extruder spec	螺杆直径 Screw dia mm	长径比 L/D	最大PET 挤出量 Max. output kg/h for PET	最大PA6 挤出量 Max. output for PA6	螺杆 转速 Screw rpm r/min	传动 功率 Transmission power kw	加热 功率 Heating power kw	加热 区段 Heating section	加热 电压 Heating voltage v	中心高 Center height mm	重量 Weight ton
JWM 20/25	ø20	25: 1	6	4	20-90	2.2	3	3	220	340	0.6
JWM 25/25	ø25	25: 1	8	5.5	20-90	2.2	3	3	220	340	0.7
JWM 30/25	ø30	25: 1	12	8	20-90	3	3	3	220	340	0.8
JWM 40/25	ø40	25: 1	28	19	20-90	5.5	6	3	220	340	0.9
JWM 45/25	ø45	25: 1	35	24	20-90	7.5	8	3	220	340	1
JWM 50/25	ø50	25: 1	55	38	20-90	7.5	14	4	220	340	1.1
JWM 55/25	ø55	25: 1	65	45	20-90	11	15	4	220	340	1.2
JWM 65/25	ø65	25: 1	85	60	20-90	18.5	16	5	220	340	1.3
JWM 75/25	ø75	25: 1	100	70	20-80	22	21	5	220	410	1.6
JWM 80/25	ø80	25: 1	125	85	20-80	37	27	5	220	510	1.8
JWM 90/25	ø90	25: 1	180	125	20-80	45	32	5	220	510	2
JWM 105/25	ø105	25: 1	280	195	20-70	55	45	5	220	610	3
JWM 120/25	ø120	25: 1	380	260	20-60	75	54	6	220	660	3.5
JWM 130/25	ø130	25: 1	450	310	20-60	90	57	6	220	660	4
JWM 135/25	ø135	25: 1	500	350	20-60	90	63	6	220	660	4.2
JWM 150/25	ø150	25: 1	600	415	20-60	110	76.5	6	380	710	5
JWM 160/25	ø160	25: 1	700	-	20-60	132	85.5	6	380	710	6
JWM 170/25	ø170	25: 1	800	-	20-60	160	103.5	6	380	750	8
JWM 180/25	ø180	25: 1	900	-	20-50	185	110	7	380	800	10
JWM 200/25	ø200	25: 1	1050	-	20-50	220	150	7	380	1000	12

以上规格参数如有变更，恕不另行通知。(PP或100%PET瓶片:L/D=30:1 or 28:1)

Excuse for further notice. If any alteration of specification parameters above (PP or 100% PET Bottle flakes: L/D=30:1 or 28:1)

电气控制系统

Electric control system

- 挤出机的机头压力及温度控制系统采用日本进口RKC仪表，采样精度高，误差小。
- 驱动变频器及低压电器均采用国际知名品牌，使电气系统运行安全，可靠。
- 该控制系统根据客户的要求，可以接入主DCS控制系统，实现集中控制。

- The head pressure and temperature control system of extruder adopting RKC meter imported from Japan for a high precision and low error.
- Equipping the driver inverter and low tension electrical equipment with world famous brand to insure a safe and reliable function for electrical system.
- It can be connected with DCS system for concentrated controlling as per the requirement of customer.



纺丝箱、侧吹风系列

Spinning Beam & Quenching Series

位距 Pitch	纺丝头数 Ends	5头下装 杯形组件 Bottom mounted cylinder type	6头下装 杯形组件 Bottom mounted cylinder type	8头下装 杯形组件 Bottom mounted cylinder type	10头下装 杯形组件 Bottom mounted cylinder type	12头下装 杯形组件 Bottom mounted cylinder type
Ø75			750		1050	1250
Ø80					1100	1350
Ø85			800	1000	1150	1400
Ø90		650/900	850/900	1050	1250/1350	1500/1550
Ø95		650/900	850/900	1150	1350	1700
Ø100		700/900	850/900	1150	1400	1700
Ø105		750/900	900	1250	1500	

以上规格参数如有变更，恕不另行通知。



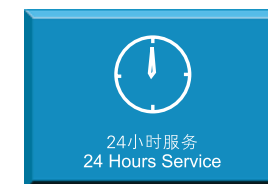
化纤设备相关零部件

All Kinds of Chemical Fiber Machinery Relating Parts



企业风采：品质管理 技术研发 国际交流 客户服务 员工培训

Quality Control Technology Research International Communication Customer Service Staff Training

24小时服务
24 Hours Service



86-21
69590455

客户服务热线
Customer Service Hotline



培训
Training



交钥匙工程
Turn-Key Project